



MP-2

Single 6" Bass Reflex, 2 Way Full range

www.rhymeaudio.com



SPECIFICATION

TECHNICAL SPESIFICATION

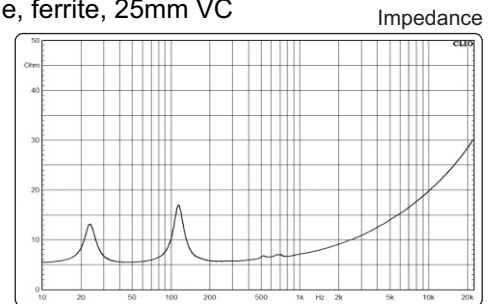
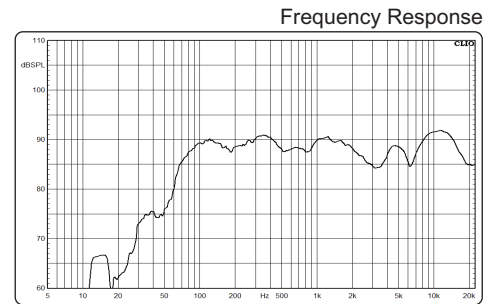
Frequency Range (-10 dB)	: 60 Hz - 20000 Hz
Frequency Response (± 3 dB)	: 80 Hz - 20000 Hz
Horizontal Coverage Angle (-6 dB)	: 108°
Vertical Coverage Angle (-6 dB)	: 108°
Crossover Modes	: Passive
System Sensitivity (1W/1M)	: 90 dB
Maximum SPL ¹	: 117dB
System Nominal Impedance	: 8 Ω
Power Rating (RMS / Program / Peak) ²	: 120 / 240 / 480 Watt

TRANSDUCER

HF Driver	: TW MP-2. Cloth Dome, Neo,25mm VC
LF Driver	: 6" MP-2, Paper coating with rubber Edge, ferrite, 25mm VC

PHISYCAL SPESIFICATION

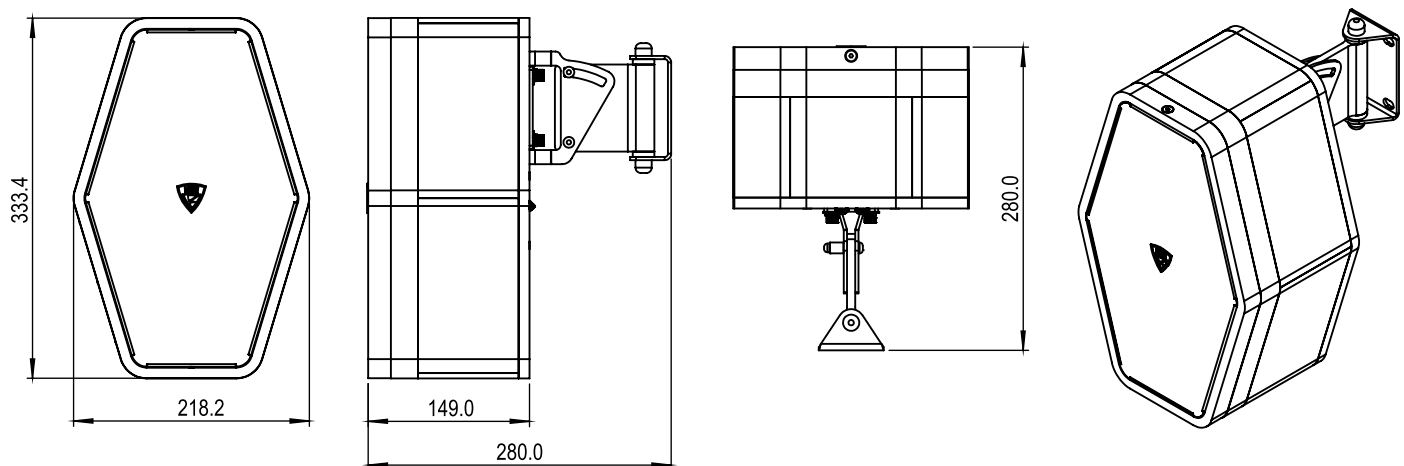
Enclosure material	: MDF Wood
Finish	: Black Texture-Rose Gold Painting
Input Connector	: Push Terminal
Dimension (H x W x D)	: 333.4 x 218.2 x 149 mm (net) : 507 x 327 x 272 mm (shipping)
Weight (Net/Shipping)	: 3.37 (1 pc) / 10.5 kg
Mounting & Suspension	: Wall mount kit, Brackets can be tilted 30 degrees and pivoted through a range of 180 degrees



¹Average value from average of SPL and the highest of SPL

²Power handling test with AES standard at low impedance (without trafo)

BOX



SHOWROOM

Surabaya : Jl. Genteng Besar No.15A, Genteng - Surabaya Telp. : +62 81 231833504 , +62 81 217334084

Jakarta : Ruko Glodok Plaza Blok F, No. 97, Mangga Besar - Jakarta Barat, +62-21 30525443, 6493139, Fax. : +62-21 6493171