



# RHYME®

www.rhymeaudio.com

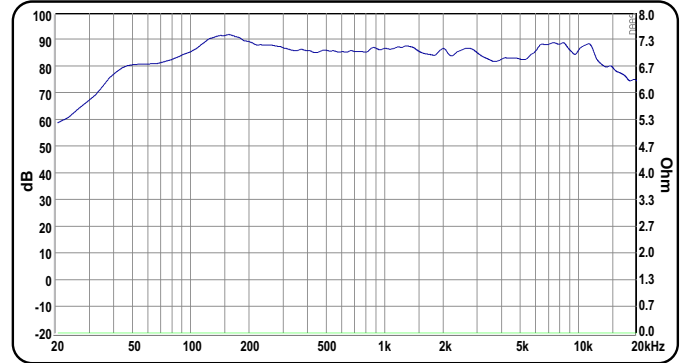
## MICRO POD1



### SPECIFICATION

<b>Configuration</b>	: Single 5" 2way, Fullrange
Frequency Range (-10 dB)	: 38 Hz - 20 kHz
Frequency Response ( $\pm 3$ dB)	: 83 Hz - 12.3 kHz
Horizontal Coverage Angle (-6 dB)	: 90°
Vertical Coverage Angle (-6 dB)	: 90°
Crossover Modes	: Passive
System Sensitivity (1m/1w)	: 86 dB
Maximum SPL <sup>1</sup>	: 112 dB
System Nominal Impedance	: 4 Ohm
Power Rating (RMS / Program / Peak) <sup>2</sup>	: 100 / 200 / 400 Watt

Frequency Range



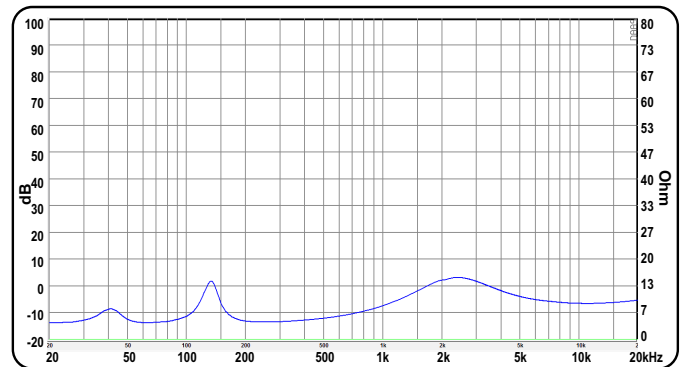
### TRANSDUCER

LF Driver	: 5" MP-1, Paper coating, ferrite, 25mm VC
HF Driver	: TW MP-1, PEI Dome, Ferrite, 13mm VC, Reflector

### PHYSICAL

Enclosure Material	: Plastic Injection
Finish	: Black Painting
Input Connector	: Push Terminal
Dimension (H x W x D)	: 220 x 140 x 135 mm (net) 350 x 326 x 165 mm (shipping)
Weight (Net/Shipping)	: 1.8 / 2.14 Kg
Mounting & Suspension	: Wall mount kit; Brackets can be tilted 40 degrees and pivoted through a range of 120degrees

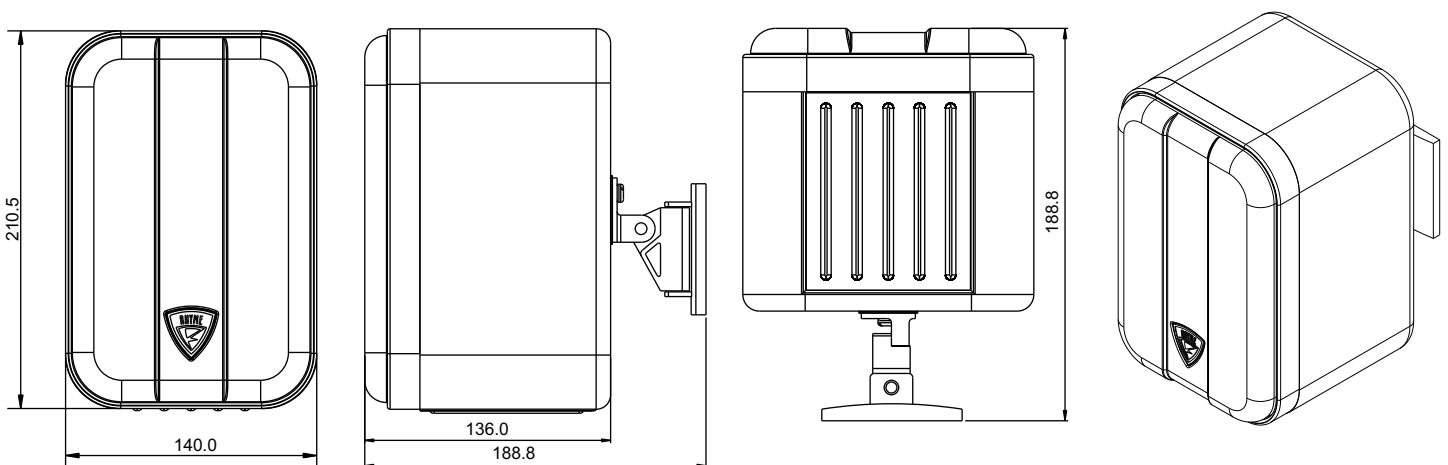
Impedance



<sup>1</sup>Calculated based on peak power and measured sensitivity

<sup>2</sup> AES2 1984 standard, test mode with continuous pink noise signal (6 dB crest factor; 2 hours)  
Power calculated on rated nominal impedance.

### BOX



### Showroom

**Surabaya** : Jl. Margomulyo No. 5, Tandes - Surabaya.  
Telp. +62-81 231833504

**Jakarta** : Ruko Glodok Plaza Blok F no. 97 RT 06/RW 06 Mangga Besar - Jakarta Barat  
Telp. : +62-21 30525443, 6493139, Fax. : +62-21 6493171