



RHYME®

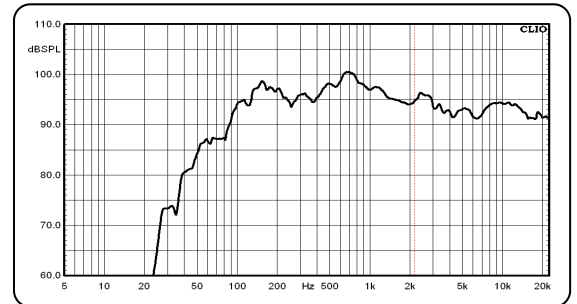
www.rhymeaudio.com

RM 2110 M-K

SPECIFICATION

Configuration	: Single 10" 2way
Frequency Range (-10 dB)	: 46 Hz - 20 kHz
Frequency Response (± 3 dB)	: 90 Hz - 20 kHz
Horizontal Coverage Angle (-6 dB)	: 90°
Vertical Coverage Angle (-6 dB)	: 50°
Crossover Modes	: Passive
System Sensitivity (1m/1w)	: 94 dB
Maximum SPL ¹	: 125 dB
System Nominal Impedance	: 8 Ohm
Power Rating (RMS / Program / Peak) ²	: 300 / 600 / 1200 Watt

Frequency Response



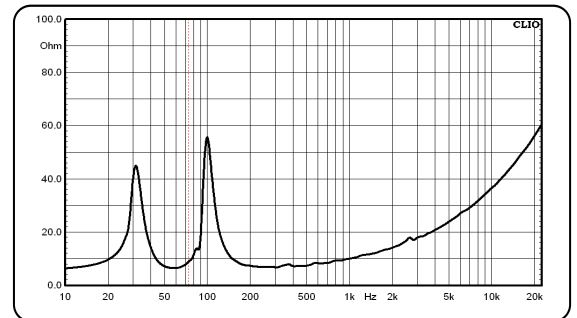
TRANSDUCER

HF Driver	: CD 340PK1B-08F FAB, ferrite, 34.4 mm VC, 1" throat
LF Driver	: ARRAY 2560 M FAB, 10", ferrite, 60.5 mm VC

PHYSICAL

Enclosure Material	: 15mm MDF
Finish	: Black Vinyl
Input Connector	: Neutrik Speakon NL4 (x2 parallel)
Pin Out	: 1+/-
Dimension (H x W x D)	: 490 x 310 x 310 mm (net) 574 x 388 x 390 mm (shipping)
Weight (Net/Shipping)	: 16.5 / 17.5 Kg
Mounting & Suspension	: Eye bolt M8

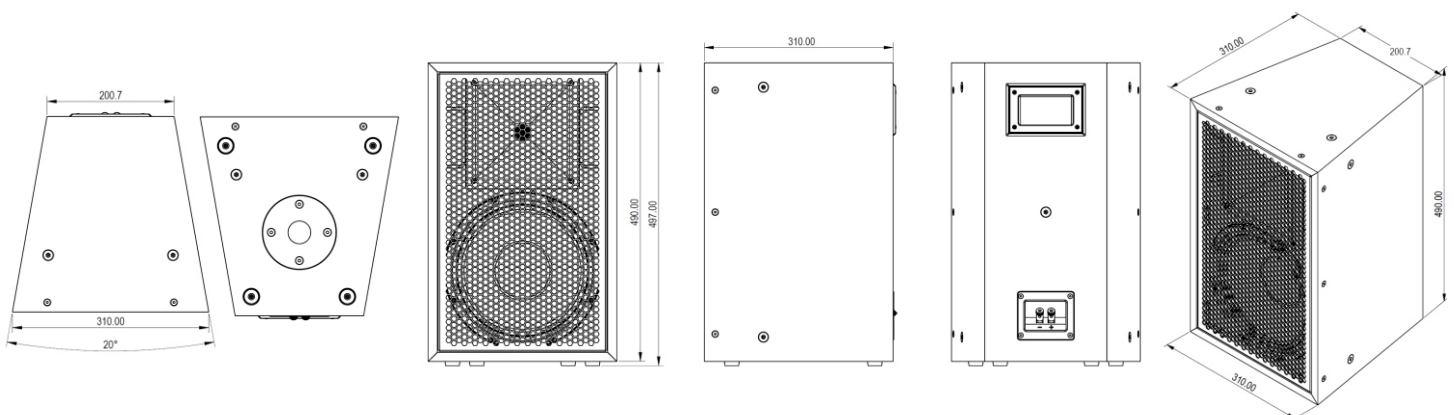
Impedance



¹Calculated based on peak power and measured sensitivity

²RMS based modified AES measurement (frequency band 50Hz-20kHz)

BOX



Showroom

Surabaya : Jl. Margomulyo No. 5, Tandes - Surabaya, Telp. +62-81 231833504

Jakarta : Ruko Glodok Plaza Blok F no. 97

Jl. Pinangsia Raya, Mangga Besar - Jakarta Barat, Telp. +62-21 6493139