



RHYME®

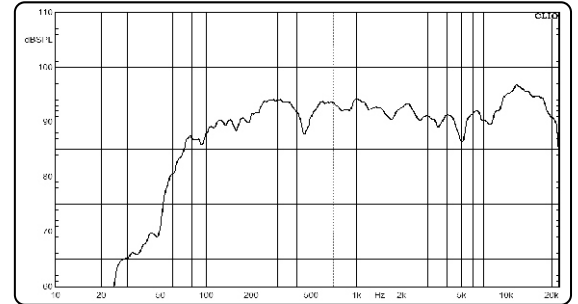
www.rhymeaudio.com

RM 81 LA

SPECIFICATION

Configuration	: Single 8" Line Array Elements
Frequency Range (-10 dB)	: 65 Hz - 20 kHz
Frequency Response (± 3 dB)	: 120 Hz - 20 kHz
Horizontal Coverage Angle (-6 dB)	: 100°
Vertical Coverage Angle (-6 dB)	: 10°
Crossover Modes	: Passive with bi-amp option
System Sensitivity (1m/1w)	: 93 dB
Maximum SPL ¹	: 124 dB
System Nominal Impedance	: 8 Ohm
Power Rating (RMS / Program / Peak) ²	: 300 / 600 / 1200 Watt

Frequency Response



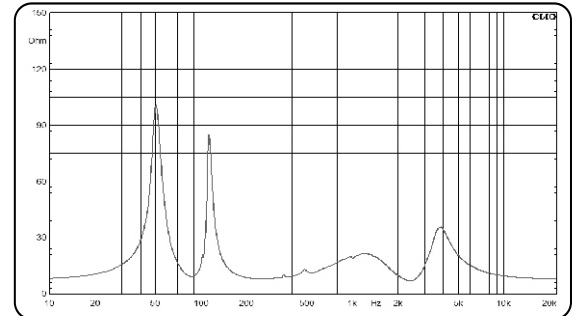
TRANSDUCER

HF Driver	: 2 x CD 340T1-08N Mk ₃ , Neo, VC34
LF Driver	: 8" ARRAY 20601 M FAB ACR SERIES, Neo, VC60

PHYSICAL

Enclosure Material	: Russian Birchply 15mm
Finish	: Black Texture
Input Connector	: Neutrik Speakon NL4 (x2 parallel)
Dimension (H x W x D)	: 262 x 576 x 350 mm (net) 389 x 693 x 496 mm (shipping)
Weight (Net/Shipping)	: 18 / 21 Kg
Mounting Suspension	: Optional array frame RM 81 - 151 kits

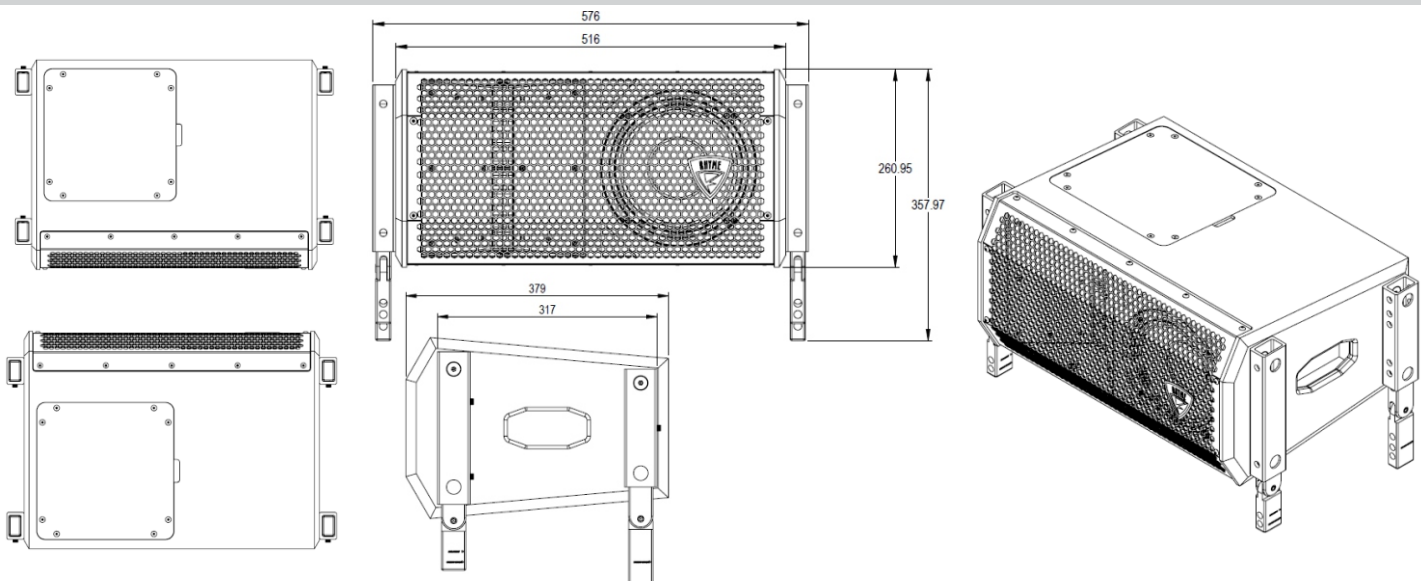
Impedance



¹Calculated based on peak power and measured sensitivity

²RMS: pink noise with 6dB crest factor, 12dB BW @ 80 Hz - 20000 Hz, 2Hr/step until break, single unit

BOX



Showroom

Surabaya : Jl. Margomulyo No. 5, Tandes - Surabaya, Telp. +62-81 231833504

Jakarta : Ruko Glodok Plaza Blok F no. 97

Jl. Pinangsia Raya, Mangga Besar - Jakarta Barat, Telp. +62-21 6493139